



Precision Shooting for Armour Targets



STATIONARY ARMOUR TARGET (ADVANCED PORTABLE POPUP) TYPE 281-601

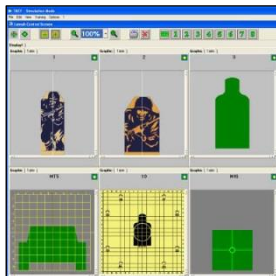
The MSI Advanced Portable Popup Stationary Armour Target simulates appearing and disappearing tank targets and serves typically on combined arms and multi-purpose ranges. The lifter with its configurable target controller and its target mechanism offers a unique combination of flexibility, excellent reliability, and safe, easy handling.

This conveniently portable system outperforms competitive tank target lifters in lifting full-scale flank tank targets up to a size of 7m x 2.5m. The target system requires no site preparation, and boasts trouble free functionality and an adjustable hit sensor for most calibres and ammunition. With such enormous lifting capacity, the extraordinary energy efficiency of this rugged and weather resistant design is just another reason with this is an essential component of any modern training facility.

COMPACT AND LIGHTWEIGHT

Long-lasting and Robust Operation:

- Finest materials
- Outstanding performance
- Usable in difficult environmental conditions

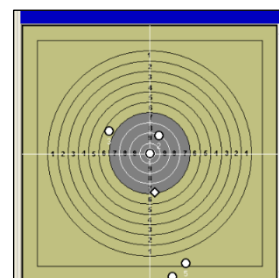


Efficient and Optimised System:

- Energy efficient
- Optimal hit sensing
- Enormous lifting capacity

Time and Effort Saving:

- Trouble free functionality
- Excellent reliability
- Immediate performance feedback



HARDWARE

- **Powerful hydraulic drive** endows the SAT with an enormous lifting capacity and a smooth and sturdy lifting process even with large target silhouettes. With this low energy consuming hydraulic drive, the target mechanism can perform up to 180 operational cycles before recharging is required.
- **Contact hit sensor** records the hits of all calibres of live-fire ammunition. It has a sensitivity adjustment to record hits of training ammunition.
- **Handheld controller** can be used to operate the system, enabling communication and immediate performance feedback over long distances depending on customer's radio frequency and geographic conditions.
- **Range control system** can operate all target systems instead. This can be hardwired or radio linked, simultaneously providing details of each single target mechanism and a supreme overview of the whole scenario.
- **Smooth-edged frame** accommodates all main components that require operation whilst offering easy and safe handling to service personnel. It can be easily carried by four men and hence repositioned to modify training scenarios.

SPECIFICATION

CONFIGURATIONS	
Installation	Portable
Power Supply	Battery-powered
Power Supply (Target Mechanism)	Battery / Solar Panel
Power	24 VDC
Communication	Radio-controlled
HIT SENSING	
Hit Detection	Contact Hit Sensor
Hit Frequency	1200rpm
TARGET PRESENTATION	
Modes of Operation	Pop-up
Time to Expose*	5-8 s (adjustable)
Time to Retreat*	5-8 s (adjustable)
*May vary depending on customer requirements and target dimensions	
TARGET MECHANISM	
Angles of Operation (Lifter)	90°, end positions adjustable

Torque at Shaft	2500Nm
ENVIRONMENT	
Operating Temperature	-25°C - +72°C [-13 °F - +161.6 °F]
Enclosure Type	IP 67
DIMENSIONS	
L x W(with target arms) x H	1350mm x 950(2077)mm x 390mm [53.15 in x 61.3(81.77)in x 15.35in]
Weight	102kg [224 lbs]
Weight with Battery	160kg [353 lbs]
Max. Target Silhouette L x H	7m x 2.5m [7.66yd x 2.74yd]

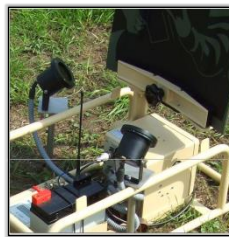
Additional Equipment

- Ballistic Shield
- Enemy Fire Simulators (Pyro & Non-Pyro)
- LOMAH Sensor System
- Muzzle Flash Simulator
- Rotary Pop-Up Adaptor
- Solar Panels
- Target Illumination Unit
- Thermal Target Adaptor

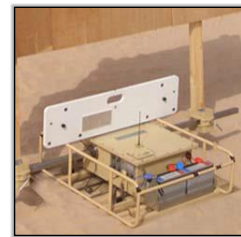
USED WITH



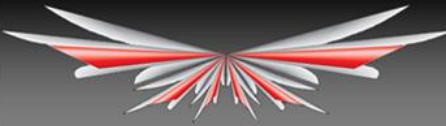
Battle Effects Simulator (BATES) Type 220-221



Muzzle Flash Simulator Type 223-001





Location of Miss and Hit (LOMAH) Type 240-241



MS INSTRUMENTS Range Consultancy

Precision, Expertise, Quality

- Professional Bespoke Range Designs
- State-of-the-Art Product Rendering
- Only the Latest Standards

MS Instruments Ltd.

Unit 4, Ravensquay Business Centre, Cray Avenue
Orpington, Kent, BR5 4BQ, United Kingdom
Tel: +44 (0)1689 883 020
Fax: +44 (0)1689 871 392
contact@msinstruments.co.uk
www.msinstruments.co.uk

ISO 9001 SCS cert. No. 980010
281-601-stationaryarmourtarget-advancedportablepopup - Jul-17

The information in this document is correct at the stated time. MS Instruments Ltd has a policy of continuing development and reserves the right to make design changes/improvements to the products.