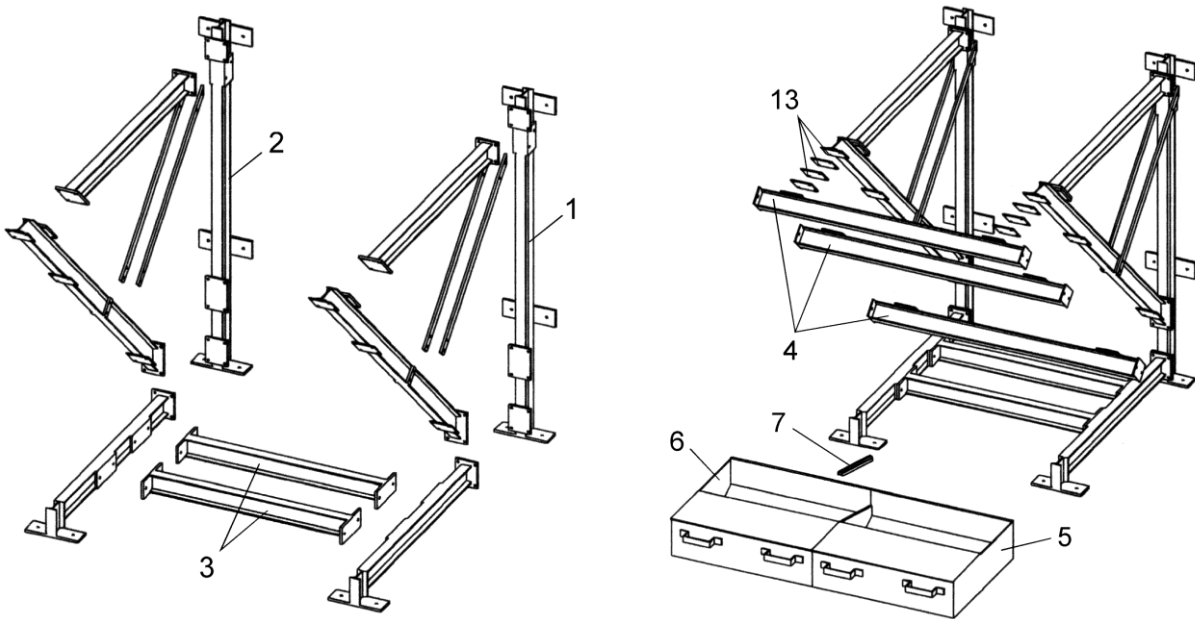


**BULLET TRAPS**



The company provides various different bullet trap designs, depending on the specific range needs. In some cases, it is necessary to collect the fired projectile, whereas in others, safe trapping and diverting is required. These images show the standard diverting type, which collects the debris into drawers that can be readily emptied and cleaned.

